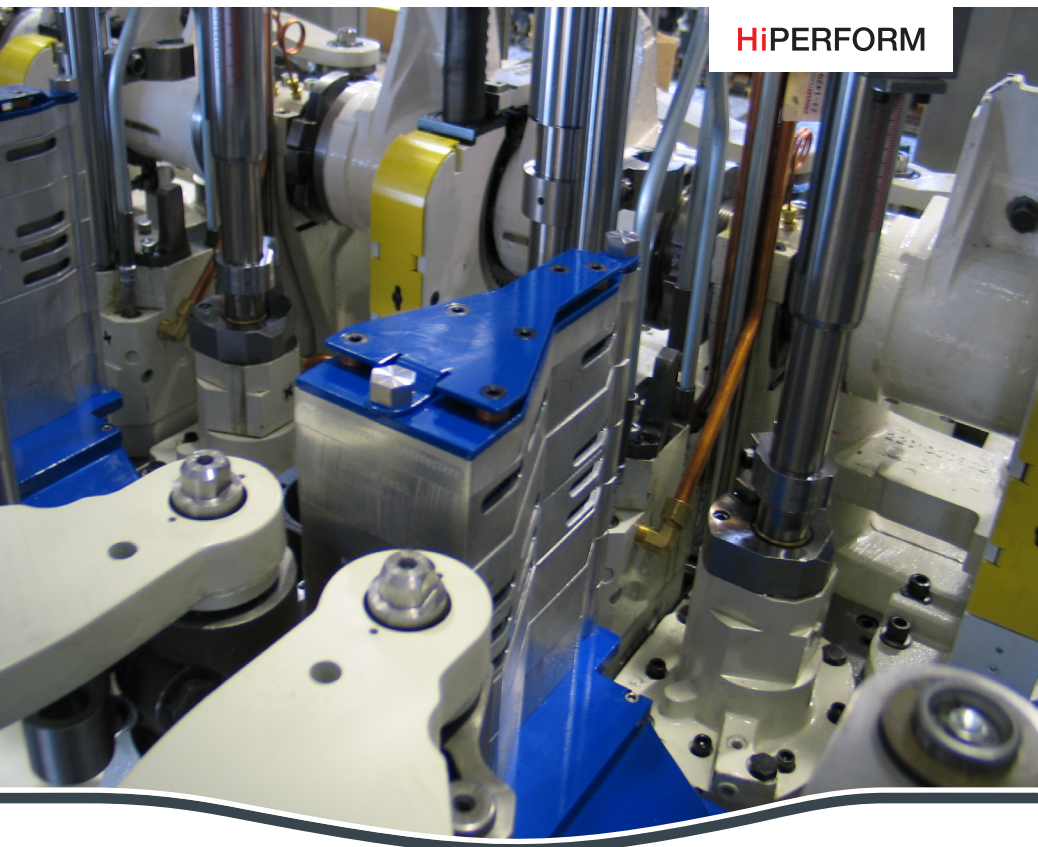


WE ARE GLASS PEOPLE

# BLANK MOULD COOLING

## HiFLOW

Type 2221



## BLANK MOULD AND NECK RING COOLING HiFLOW

This newly developed cooling permits an ideal heat removal out of the blank mould and neck ring. Due to the variable configuration and simple adjustability nearly every application can be covered. It is available as 5" DG, 5 1/2" DG, 6 1/4" DG and 4 1/4" TG version.

### Function

Through intermittent double valves the cooling air is supplied from the section frame into the neck ring cooling piece and into the stacked modules.

The different modules can be stacked variously so that the lateral outlets are on the correct height to cool the blank mould.

Inside the modules plates are guided. These plates can be adjusted independently of one another by turning the set screws on top of the cooling. By this adjustment the cross-section of the outlets can be maximised or minimised. The neck ring cooling piece is equipped with adjustment units to optimally adapt the cooling air amount. By turning the corresponding adjustment unit the escaping air flow can be regulated individually for each outlet.

The stacked modules below the neck ring cooling serve to adapt it to the height of the Invert. They are available in different heights.

- 1** Adjusting screws
- 2** Plates
- 3** Modules
- 4** Neck ring cooling piece with adjustment units
- 5** Stacked modules to adapt the cooling to the height of the Invert
- 6** Cooling air supply with valves

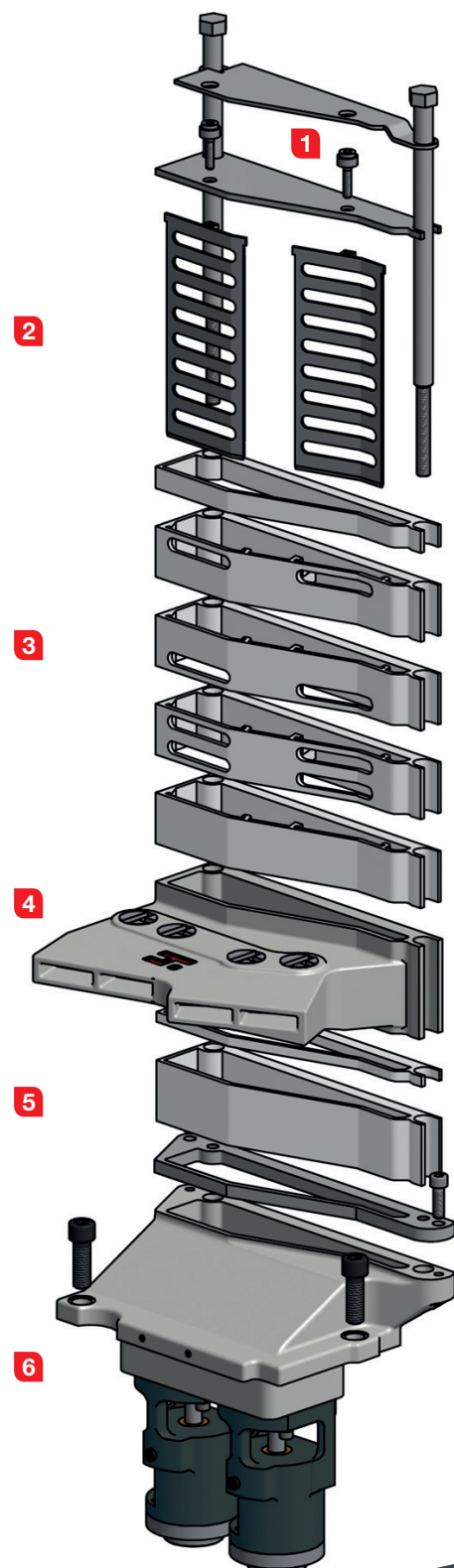
### Design

The blank mould cooling HiFLOW provides for an optimum heat removal from the blank mould and neck ring.

The cooling has a variable design and a simple adjustment possibility to regulate the temperature profile of the blank mould and neck ring.

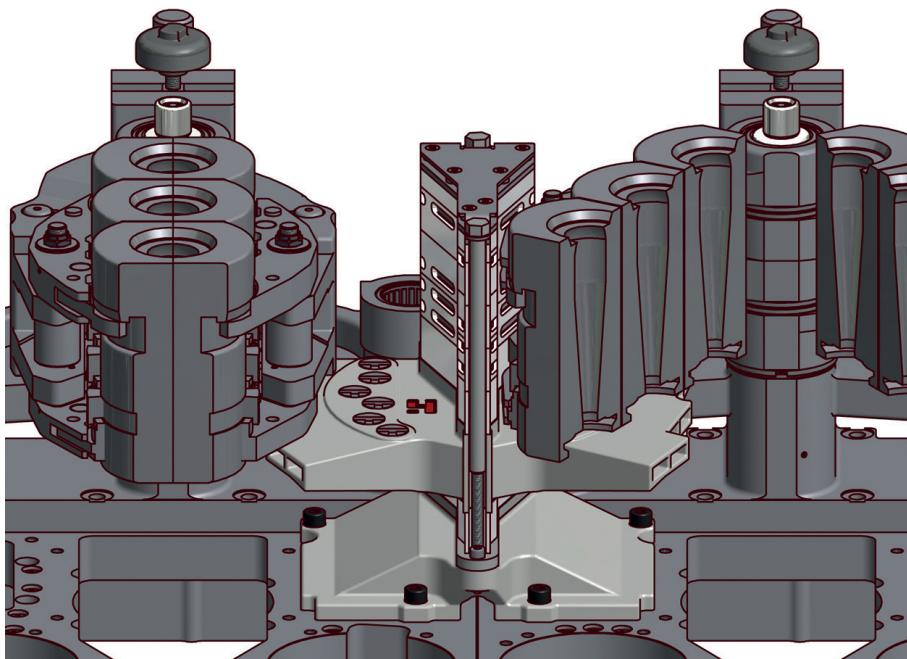
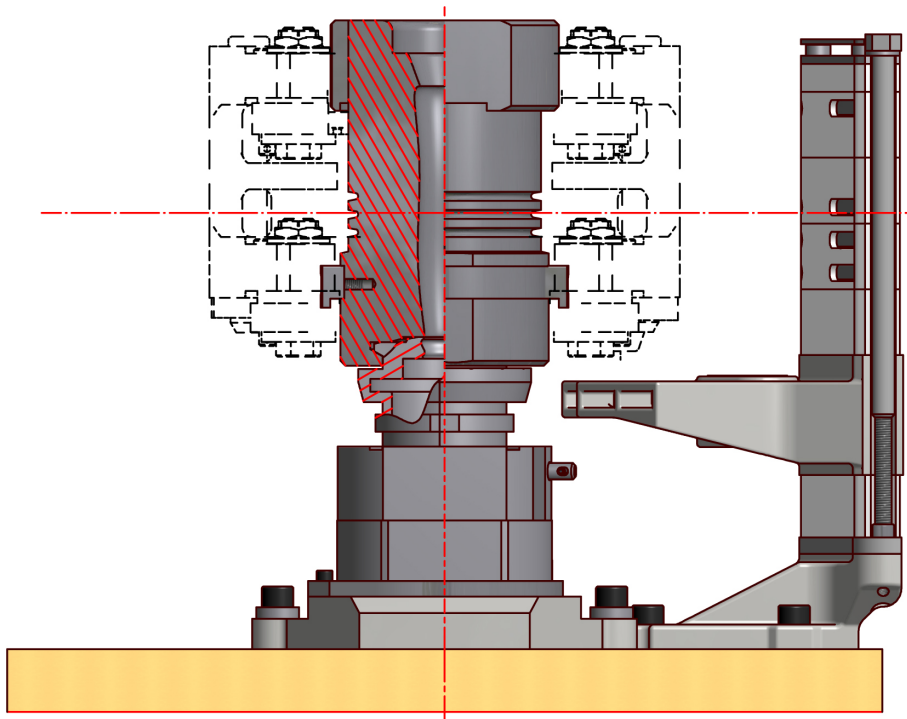
By intermittently operating valves the blast air from the machine box is guided into the cooling foot and from there it gets into the neck ring cooling piece and into the stacked modules.

The modules have lateral outlets. By varying the arrangement they can be adjusted to the height level of the necessary cooling zones.



## OPTIMISED COOLING EFFICIENCY

and the symmetrical design guarantee an optimum heat removal out of the blank mould and neck ring. The maximised cooling cross-sections enhance the cooling efficiency (air flow) by more than 40 per cent.



# OVERVIEW

## Advantages

- Modular system
- Individual cooling height adaption for 5" DG, 5 1/2" DG, 6 1/4" DG, 4 1/4" TG
- Optimum heat removal
- Simple regulation of the temperature profile

## Adjustment

For each individual blank mould half the cooling air amount can be adjusted with millimetre precision. There are set screws on top of the cooling device and adjustment units at the neck ring cooling piece that can be handled very easily due to the automatic latching.

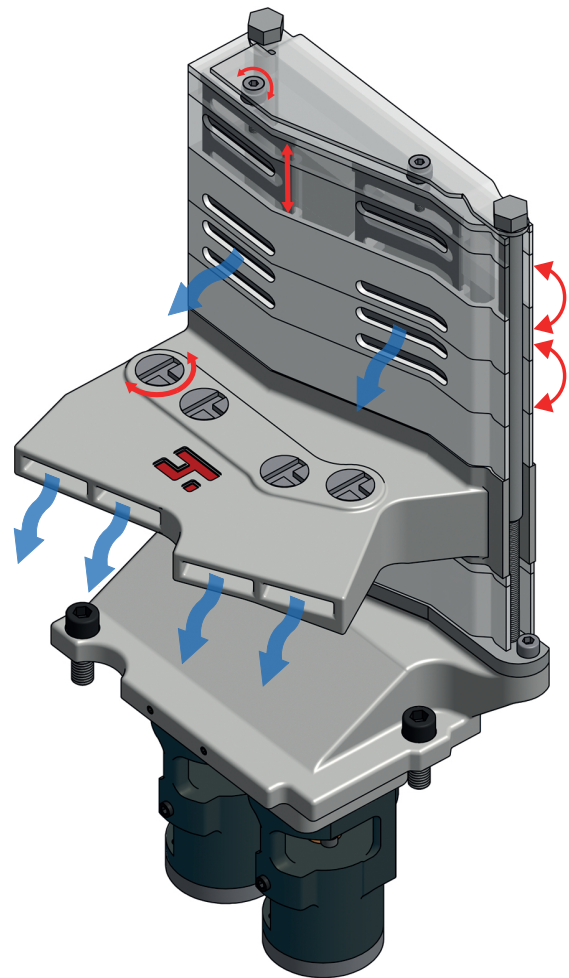
## High variability

The variable arrangement of the cooling modules offers an easier way to regulate the temperature profile of the blank mould across the height.

## Scope of Delivery

Right, left and centre elements consisting of:

- Valves
- Cooling foot
- Cooling modules
- Stacked modules
- Module sheets
- Cover plate
- Adjusting screws



0714/Web

**Heye International GmbH**  
Lohplatz 1, 31683 Obernkirchen  
Germany

T +49 5724 26 452  
F +49 5724 26 229

[www.hey-international.com](http://www.hey-international.com)

 hey international