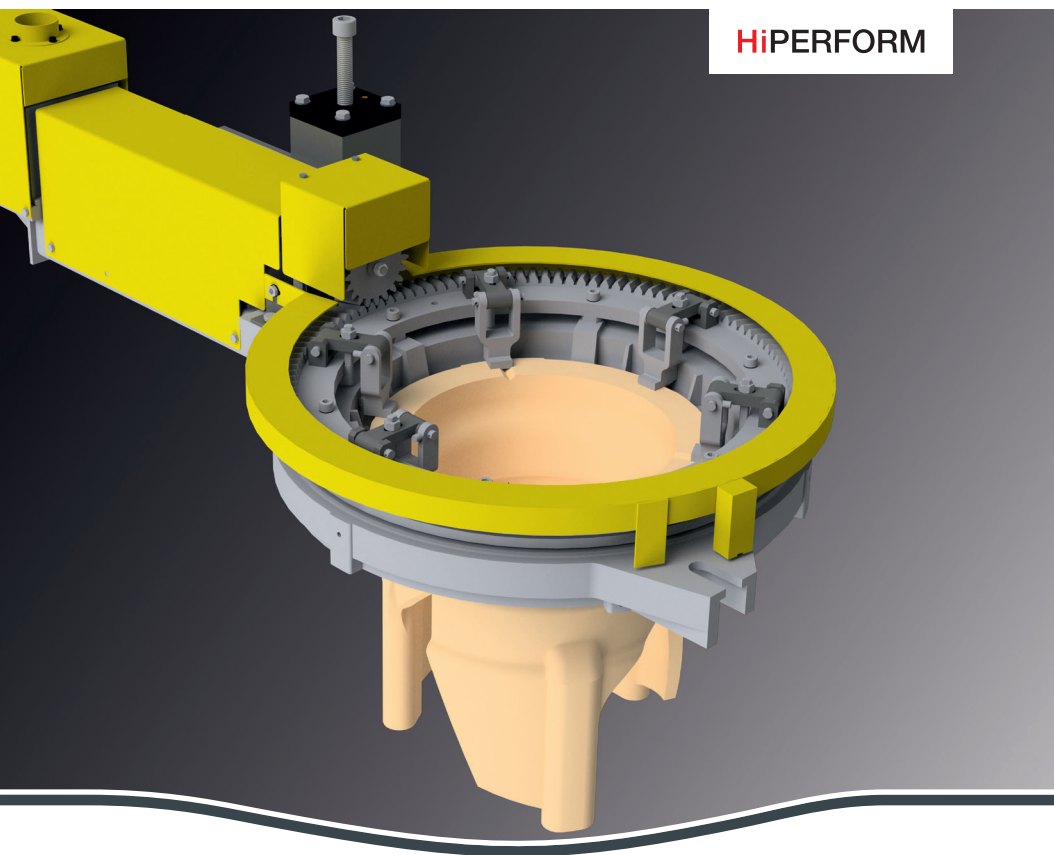


WE ARE GLASS PEOPLE

HEYE

ROTOR MECHANISM

Type 2372



HiPERFORM

THE ROTOR MECHANISM

The rotating movement of the rotor segments provides for a very good thermal homogeneity of the glass mass.

The proven design guarantees reliable functionality and a long lifetime.

The Heye Rotor Mechanism can be mounted at various feeder types.

FUNCTION

The Heye Rotor Mechanism Type 2372 is mounted at the feeder channel. By a rotating movement of the toothed ring three paddles provide for a stirring movement in the glass mass and thus keep it homogeneous.

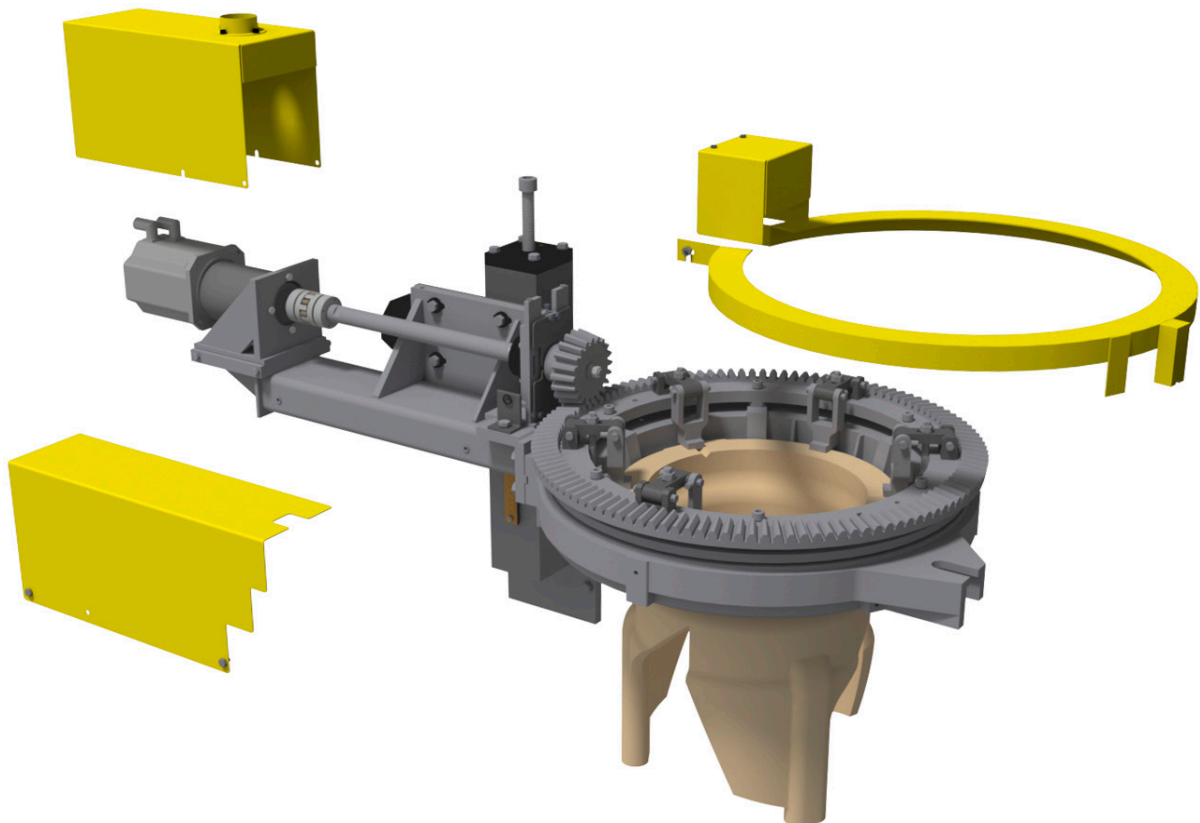
The Rotor Mechanism is driven by a servo motor. The generated movement is deflected at the bevel wheel by 90° (from horizontal to radial) so that the sprocket executes a rotating movement.

The motion of the servo motor is controlled by **Heye Simotion® Servodrive**.

SAFETY

All movable parts of the Heye Rotor Mechanism Type 2372 are located behind easy to demount safety housings.

The drive of the Rotor Mechanism is torque-controlled.
In case of a blocking the drive stops.



CONTROL UNIT

To control the servo motor the Heye Simotion® Servodrive is used. Also please see product description “Heye Simotion® Servodrive”.

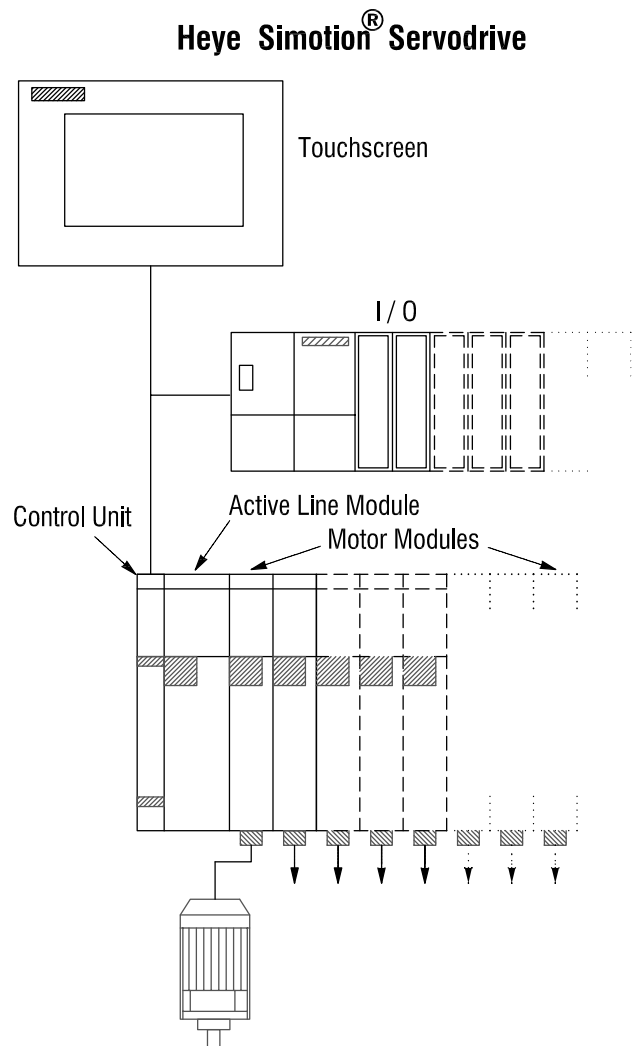
Heye Simotion® Servodrive

This highly-flexible control is based on the future-proof multi axis drive System Simotion® from Siemens. Excellent reliability of the electronic components in combination with the application of a compact servo motor with robust resolver guarantee a reliable non-stop operation. Even with respect to servicing this control is perfect as it is easy to handle. If control components should have to be exchanged complicated manual addressing or programming is not necessary because all the configuration data is stored on a memory board. When the control is started the data are automatically transferred. This allows short commissioning and service times and reduces training time for service staff. Fault and operating messages are registered by the control unit with date and time and can be read in detail on the touchscreen anytime.

Installation

The Rotor Mechanism is fixed with four cylinder screws at a console which is mounted on the face side of the compensation zone.

The local control box has to be arranged in such a way that the Rotor Mechanism can be observed during adjustment. The control cabinet should be located in an air-conditioned room (see technical data).



OVERVIEW

Advantages

- Thermal homogeneity
- High weight constancy
- Variable speeds
- Change in direction of rotation possible
- High lifetime of the mechanics
- Uniform rotation of the rotor segments
- Complete housing of the mechanics
- Manual height adjustment

Scope of Delivery

- Rotor Mechanism with feeder connection console
- Mechanical Rotor Mechanism adjustment
- Control unit in a closed cabinet, completely wired*
- Local control unit (control box)*
- Set of cables*

Technical Data

- Tube sizes 7", 8" and 10"
- For feeder sizes** 81, 503, 515, 555 and 575
- Weight of the Rotor Mechanism approx. 252 kg
- Dimensions length/width/height 1965 / 770 / 970 mm
- Supplies compressed air 6 bar, fan air 500 mm water column 100 m³/h, connection to central lubrication

* Only in connection with a Heye Simotion® Servodrive control unit.

** Further types possible on request and after technical clarification.

Emissions

- The A-weighted permanent sound pressure level of this system is below 70 dB(A)

Compatible control units*

Heye Simotion® Servodrive

Up to 10 servo axes can be operated (depending on combination of drives and cabinet width)

- Dimensions width/height/depth 800 / 2200 / 600 mm
1000 / 2200 / 600 mm
1200 / 2200 / 600 mm
- Weight 320 - 400 kg
- Power input with two active ventilators depending on the number of axes
- Mains supply three-phase 380 - 480 V ± 10 % PE, no neutral wire
- Mains frequency 50/60 Hz ± 3 Hz
- Mains fuse 35 A slow-blow (to be made available by the customer)
- Ambient temperature for the control unit max. 35°C

Heye Simotion® Servodrive Compact

Up to 4 servo axes can be operated (depending on combination of drives)

- Dimensions width/height/depth 400 / 2200 / 600 mm
- Weight 170 kg
- Power input depending on the number of axes
- Mains supply three-phase 380 - 480 V ± 10 % PE, no neutral wire
- Mains frequency 50/60 Hz ± 3 Hz
- Mains fuse 35 A slow-blow (to be made available by the customer)
- Ambient temperature for the control unit max. 35°C

* For further information on the control unit and respective combination of drives please have a look at our separate brochure.

Illustrations are non-binding and may include optional equipment. Products are subject to continuous technical modifications.

The mentioned consumption values are non-binding and are subject to the customer's individual production program.

0122/Web

Heye International GmbH

Lohplatz 1, 31683 Obernkirchen
Germany

T +49 5724 26 0

F +49 5724 26 539

www.hey-international.com

